



# 4.236G GENSET POWER



**AREF** DIESEL PARS  
تلفن: ۰۲۱-۸۸۸۸۸۸۸۸  
WWW.AREFDIESEL.COM

**AREF** DIESEL PARS  
تلفن: ۰۲۱-۸۸۸۸۸۸۸۸  
WWW.AREFDIESEL.COM

## Performance

Engine speed rev/min	Type of operation	Typical generator output(net) kVA	Engine Power	
			kW	bhp
1500	Prime power	40	35.5	47.6
	Standby power	44	39.1	52.4



All ratings based on operation under ISO 3046 condition using typical fan sizes and drive ratios. For operation outside of these conditions please consult with Motorsazan company. Performance tolerance quoted by Motorsazan is  $\pm 5\%$ . Electrical ratings assume a power factor of 0.8 and a generator efficiency of 90%.

Fuel specification: BS2869 Part 2 1998 Class A2 or ASTM D975 D2.

### Rating Definitions:

**Prime power:** Power available at variable load in lieu of main power network. An overload of 10% is permitted for one hour in every twelve hours of operation.

**Standby power:** power available at variable load in the event of a main power network failure. No overload is permitted.

## Standard specification

### Air filter:

Mounted air filter

### Fuel system:

Rotary fuel injection pump  
Mechanical governing  
Single cartridge fuel filter and prefilter

### Lubrication system:

Mild steel sheet with filler and dipstick  
Spin-on full-flow oil filter  
Remote oil cooler (oil to air cooled)

### Cooling system:

Belt driven circulating pump  
17" belt driven fan  
Mounted radiator and pipework

### Electrical equipment:

12 volt starter motor  
12 volt 55 Amp alternator with DC output  
Switch for oil pressure  
12 volt shut down external solenoid energized to run  
Cold start aid

### Flywheel and Housing:

High inertia flywheel to SAE J620 size 10/11½  
Cast iron SAE3 flywheel housing

### Mountings:

Front mounting brackets

### Optional equipment:

Coolant temperature gauge  
Lubrication oil pressure gauge and sender  
Heater/Starter switch  
Flywheel and coupling suitable for double bearing alternators  
Rear mounting brackets

Fuel consumption litres / hour	
Power rating	1500 rev/min
Standby power	11.6
Prime power	10.2
75% of prime power	7
50% of prime power	5.3
25% of prime power	4.1

## Basic technical data

**Number of cylinder:** 4

**Cylinder arrangement:** Vertical, in line

**Cycle:** 4 stroke

**Induction system:** naturally aspirated

**Cubic capacity:** 3.861 litres (235.9 cu-in)

**Bore:** 98.4mm (3.875 in)

**Stroke:** 127 mm (5 in)

**Compression ratio:** 16:1

**Direction of rotation:** Clockwise viewed from front

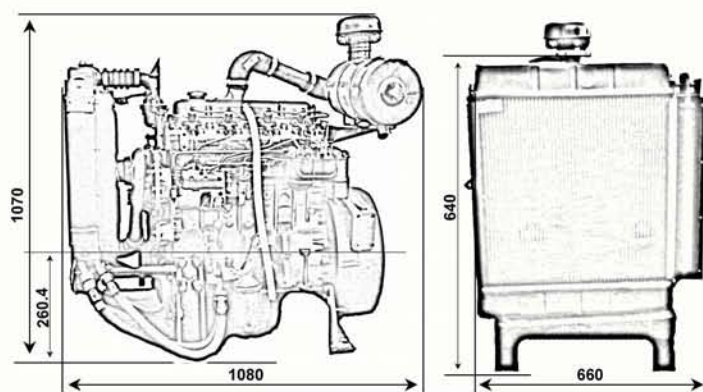
**Firing order:** 1,3,4,2

**Total lubrication system capacity:** 8 liter

**Coolant capacity (including radiator):** 15 liter

**Engine total weight (dry):** 434kg

**Engine total weight (wet):** 457kg



All dimensions are in mm

Factory address: P.O.BOX 51845-337 Tabriz-Iran

Tel: +98(411) 4248000

Fax: +98(411) 4245945-46

Website: [www.motorsazan.ir](http://www.motorsazan.ir)

Email: [mail@motorsazan.ir](mailto:mail@motorsazan.ir)

- The illustrations may include some optional equipments.
- Motorsazan reserves the right to modify product specifications without prior notice.